

GLH

more than standard...

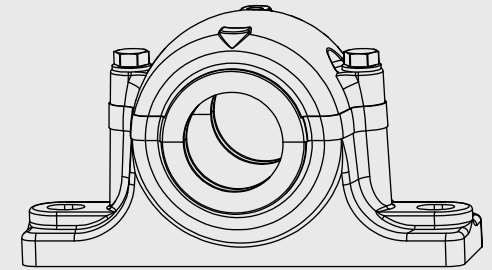
Stehlagergehäuse
SN500/ SN600



Filzdichtung für folgende Gehäuse
Applicable exclusively for housing
Seulement valables pour corps de paliers
válidas para cuerpos de soporte

Teilenummer Abmessungen
Reference Dimensions
Référence Dimensions
Referencia Dimensiones

				FS...	mm
722505	SN505	SN605		20	5x4x95
722506	SN506	SN606	SN304	25	6x5x118
722507	SN507	SN607	SN205 SN305	30	6x5x132
722508	SN508	SN608	SN206 SN306	35	6x5x150
722509	SN509	SN609		40	6x5x165
722510	SN510	SN610	SN207 SN307	45	6x5x180
722511	SN511	SN611	SN208 SN308	50	8x6,5x210
722512	SN512	SN612	SN209 SN309	55	8x6,5x225
722513	SN513	SN613	SN210 SN310	60	8x6,5x240
722515	SN515	SN615	SN211 SN311	65	8x6,5x260
722516	SN516	SN616	SN212 SN312	70	9x7,5x280
722517	SN517	SN617	SN213 SN313	75	9x7,5x300
722518	SN518	SN618	SN214 SN314	80	9x7,5x315
722519	SN519	SN619	SN215 SN315	85	9x7,5x330
722520	SN520	SN620	SN216 SN316	90	10x8,5x350
			SN217 SN317	95	10x8,5x370
722522	SN522	SN622	SN218	100	12x10x390
			SN318	105	12x10x410
	SN524	SN624	SN319	110	12x10x430
	SN526	SN626	SN220 SN320	115	12x10x440
	SN528		SN222 SN322	125	14x11x490
			SN224 SN324	135	14x11x520
			SN226	145	16x12x560
			SN326	150	16x12x580
		SN228		155	16x12x590
	SN530			160	16x12x610
		SN230		165	16x12x630
	SN532			170	16x12x640
		SN232		175	16x12x650



Stehlagergehäuse der Serie SN500 sind für Pendelkugellager und Pendelrollenlager auf Spannhülse ausgelegt.

Der Lagersitz im Gehäuse ist nach Toleranz G7 bearbeitet.

Das Standardmaterial ist Grauguss.

Auf Wunsch können diese Gehäuse auch aus einem anderen Material geliefert werden.

Als Standard bieten wir Filzdichtungen an.

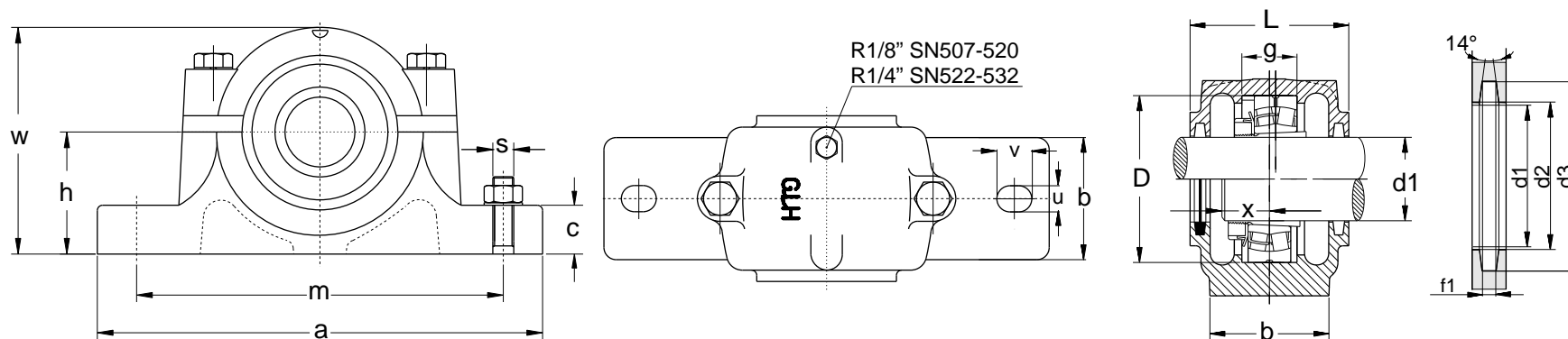
Bearing housings SN500-Series are suitable for self-aligning ball bearings and spherical roller bearings.

They are mounted with adapter sleeve.

The bearing seat is machined to tolerance G7.

The standard material is grey cast iron, but we can offer them in other materials upon request.

Felt seals are the standard.

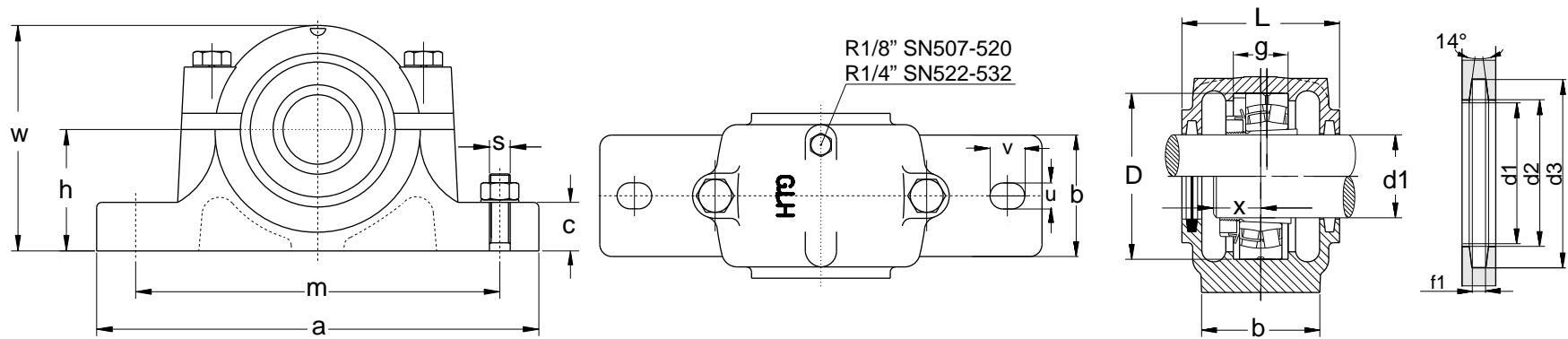






Teilenummer Welle Abmessungen
 Reference Shaft Dimensions
 Reference Arbre Dimensions
 Referencia Eje Dimensiones

Schrauben Gewicht Wälzlager
 Bolts Weight Bearing
 Vis Poids Roulement
 Tornillo Peso Rodamiento

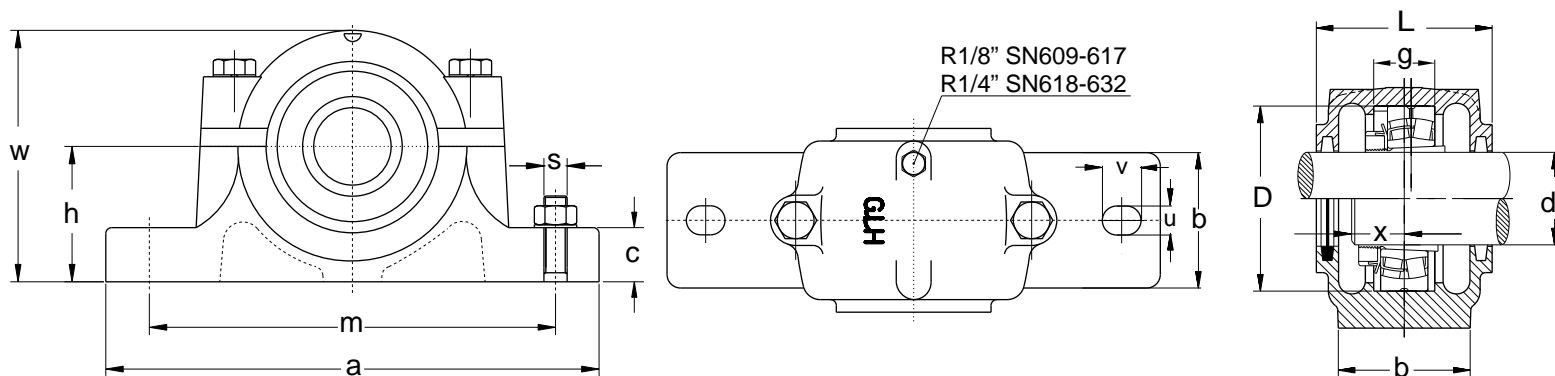
Spannhülse Festtringe Stück Enddeckel
 Sleeve Locating rings Qty. Endcover
 Manchon Bague d'arrêt Quantité Couvertres latéraux
 Manguito Anillo-Guia Cantidad Tapas laterales

	mm																	kg	Wälzlager	Spannhülse	Festtringe	Stück	Enddeckel
	d1	D	a	b	c	g	h	L	w	m	u	v	x	d2	d3	f1	S						
SN507	30	72	185	52	22	33	50	82	95	150			24	31,5	43,0	4,0	M12	2,1	1207K	H207	FR72x8	2	EC507
																			2207K	22207K	H307	FR72x10	
SN508	35	80	205	60	25	33	60	85	110	170			26	36,5	48,0	4,0	M12	2,8	1208K	H208	FR80x7.5	2	EC508
																			2208K	22208K	H308	FR80x10	
SN509	40	85	205	60	25	31	60	85	112	170	30	12	28	41,5	53,0	4,0	M12	2,8	1209K	H209	FR85x6	2	EC509
																			2209K	22209K	H309	FR85x8	
SN510	45	90	205	60	25	33	60	90	115	170	30	15	28	46,5	58,0	4,0	M12	3,0	1210K	H210	FR90x6,5	2	EC510
																			2210K	22210K	H310	FR90x10	
SN511	50	100	255	70	28	33	70	95	130	210	18	23	30	51,5	67,0	5,0	M16	4,0	1211K	H211	FR100x6	2	EC511
																			2211K	22211K	H311	FR100x8	
SN512	55	110	255	70	30	38	70	105	135	210	18	23	32	56,5	72,0	5,0	M16	4,5	1212K	H212	FR110x8	2	EC512
																			2212K	22212K	H312	FR110x10	
SN513	60	120	275	80	30	43	80	110	150	230	18	23	36	62,0	77,0	5,0	M16	5,5	1213K	H213	FR120x10	2	EC513
																			2213K	22213K	H313	FR120x12	
SN515	65	130	280	80	30	41	80	115	155	230	18	23	38	67,0	82,0	5,0	M16	6,0	1215K	H215	FR130x8	2	EC515
																			2215K	22215K	H315	FR130x10	
SN516	70	140	315	90	32	43	95	120	175	260	22	27	40	72,0	89,0	6,0	M20	8,2	1216K	H216	FR140x8,5	2	EC516
																			2216K	22216K	H316	FR140x10	
SN517	75	150	320	90	32	46	95	125	185	260	22	27	42	77,0	94,0	6,0	M20	9,0	1217K	H217	FR150x9	2	EC517
																			2217K	22217K	H317	FR150x10	



 Teilnummer  Reference  Reference  Referencia	Welle Shaft Arbre Eje	Abmessungen Dimensions Dimensions Dimensiones	Schrauben Bolts Vis Tornillo	Gewicht Weight Poids Peso	Wälzlager Bearing Roulement Rodamiento	Spannhülse Sleeve Manchon Manguito	Festringe Locating rings Bagua d'arrêt Anillo-Guia	Stück Qty. Quantité Cantidad	Enddeckel Endcover Couvercles latéraux Tapas laterales
--	--------------------------------	--	---------------------------------------	------------------------------------	---	---	---	---------------------------------------	---

	mm																						
	d1	D	a	b	c	g	h	L	w	m	u	v	x	d2	d3	f1	S	kg		FR			
SN518	80	160	345	100	35	62,4	100	140	195	290	22	27	50	82,0	99,0	6,0	M20	11,6	1218K	H218	FR160x16,2	2	
																			2218K	H318	FR160x11,2	2	EC518
SN519	85	170	345	100	35	53	112	145	210	290	22	27	52	87,0	104,0	6,0	M20	11,8	1219K	H219	FR170x10,5	2	
																			2219K	H319	FR170x10	1	EC519
SN520	90	180	380	110	40	70,3	112	160	218	320	26	32	54	92,0	111,0	7,0	M24	15,5	2220K	H320	FR180x12,1	2	
																			23220K	H2320	FR180x10	1	EC520
SN522	100	200	410	120	45	80	125	175	240	350	26	32	60	102,0	125,0	8,0	M24	19,0	2222K	H322	FR200x13,5	2	
																			23222K	H2322	FR200x10	1	EC522
SN524	110	215	410	120	45	86	140	185	270	350	26	32	64	113,0	135,0	8,0	M24	23,0	2224K	H3124	FR215x14	2	
																			23224K	H2324	FR215x10	1	EC524
SN526	115	230	445	130	50	90	150	190	290	380	28	36	64	118,0	140,0	8,0	M24	28,0	2226K	H3126	FR230x13	2	
																			23226K	H2326	FR230x10	1	EC526
SN528	125	250	500	150	50	98	150	205	305	420	33	42	70	128,0	154,0	9,0	M30	37,0	2228K	H3128	FR250x15	2	
																			23228K	H2328	FR250x10	1	EC528
SN530	135	270	530	160	60	106	160	220	325	450	33	42	76	138,0	164,0	9,0	M30	44,0	2230K	H3130	FR270x16,5	2	
																			23230K	H2330	FR270x10	1	EC530
SN532	140	290	550	160	60	114	170	235	345	470	33	42	80	143,0	173,0	10,0	M30	50,0	2232K	H3132	FR290x17	2	
																			23232K	H2332	FR290x10	1	EC532

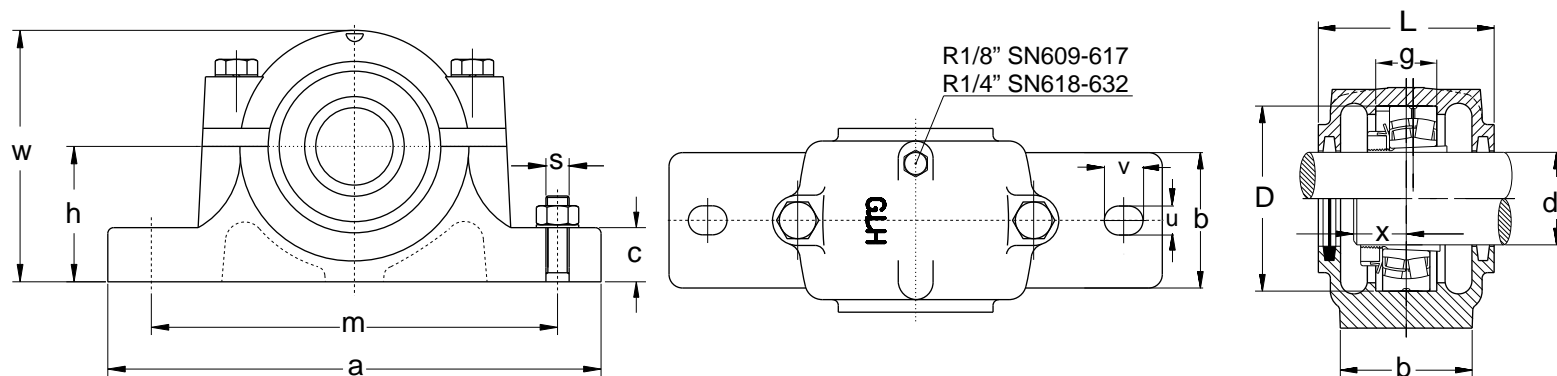


Teilnummer Welle Abmessungen
 Reference Shaft Dimensions
 Reference Arbre Dimensions
 Referencia Eje Dimensiones

Schrauben Gewicht Wälzlager
 Bolts Weight Bearing
 Vis Poids Roulement
 Tornillo Peso Rodamiento

Spannhülse Festringe Stück Enddeckel
 Sleeve Locating rings Qty. Endcover
 Manchon Bagua d'arrêt Quantité Couvertres latéraux
 Manguito Anillo-Guia Cantidad Tapas laterales

	mm														S	kg	FR				
	d1	D	a	b	c	g	h	L	w	m	x	u	v								
SN609	40	100	255	70	25	46	70	105	130	210	36	18	23	M16	4,1	1309K	H209	FR100x10,5	2		
																2309K	22309K	H2309	FR100x10	1	EC609
SN610	45	110	255	70	30	50	70	115	135	210	39	18	23	M16	4,7	1310K	H210	FR110x11,5	2		
																2310K	22310K	H2310	FR110x10	1	EC610
SN611	50	120	275	80	30	53	80	120	150	230	40	18	23	M16	5,8	1311K	H211	FR120x12	2		
																2311K	22311K	H2311	FR120x10	1	EC611
SN612	55	130	280	80	30	56	80	125	155	230	44	18	23	M16	6,5	1312K	H212	FR130x12,5	2		
																2312K	22312K	H2312	FR130x10	1	EC612
SN613	60	140	315	90	32	58	95	130	175	260	46	22	27	M20	8,7	1313K	H213	FR140x12,5	2		
																2313K	22313K	H2313	FR140x10	1	EC613
SN615	65	160	345	100	35	65	100	140	195	290	51	22	27	M20	11,3	1315K	H215	FR160x14	2		
																2315K	22315K	H2315	FR160x10	1	EC615
SN616	70	170	345	100	35	68	112	145	212	290	52	22	27	M20	12,3	1316K	H216	FR170x14,5	2		
																2316K	22316K	H2316	FR170x10	1	EC616
SN617	75	180	380	110	40	70	112	155	218	320	56	26	32	M24	15,0	1317K	H217	FR180x14,5	2		
																2317K	22317K	H2317	FR180x10	1	EC617



Teilnummer	Welle	Abmessungen	Schrauben	Gewicht	Wälzlager	Spannhülse	Festringe	Stück	Enddeckel
Reference	Shaft	Dimensions	Bolts	Weight	Bearing	Sleeve	Locating rings	Qty.	Endcover
Reference	Arbre	Dimensions	Vis	Poids	Roulement	Manchon	Bagua d'arrêt	Quantité	Couvercles latéraux
Referencia	Eje	Dimensiones	Tornillo	Peso	Rodamiento	Manguito	Anillo- Guia	Cantidad	Tapas laterales

	mm																				
	d1	D	a	b	c	g	h	L	w	m	x	u	v	S	kg		FR				
SN618	80	190	400	110	33	74	112	160	230	320	58	26	32	M24	19,0	1318K	H218	FR190x15,5	2		
																2318K	22318K	H2318	FR190x10	1	EC618
SN619	85	200	420	120	36	77	125	170	245	350	60	26	32	M24	22,0	1319K	H219	FR200x16	2		
																2319K	22319K	H2319	FR200x10	1	EC619
SN620	90	215	420	120	38	83	140	175	280	350	64	26	32	M24	25,0	1320K	H320	FR215x18	2		
																2320K	22320K	H2320	FR215x10	1	EC620
SN622	100	240	460	130	40	90	150	190	300	390	69	28	35	M24	32,0	1322K	H322	FR240x20	2		
																2322K	22322K	H2322	FR240x10	1	EC622
SN624	110	260	540	160	50	96	160	205	325	450	73	35	42	M30	48,0		22324K	H2324	FR260x10	1	EC624
SN626	115	280	560	160	50	103	170	215	350	470	77	35	42	M30	56,0		22326K	H2326	FR280x10	1	EC626
SN628	125	300	630	170	55	112	180	235	375	520	83	35	42	M30	72,0		22328K	H2328	FR300x10	1	EC628
SN630	135	320	680	180	55	118	190	245	395	560	88	35	42	M30	98,0		22330K	H2330	FR320x10	1	EC630
SN632	140	340	710	190	60	124	200	255	415	580	93	42	50	M30	115,0		22332K	H2332	FR340x10	1	EC632



So erreichen Sie uns

GLH GmbH
Heinrich-Hertz-Str.4
22941 Bargteheide
-Germany-

Tel. +49-4532-280 753 -0
Fax.+49-4532-26 73 26

Ihre Ansprechpartner:
Philipp Pastian
Nadine Grochowski
Reiner Schottes
Ingo Jänsch
Thorsten Hämmerer

E-Mail: info@glh24.de
www.glh24.de

- Versand bis 17:00Uhr
- täglicher Speditionsversand
- Paketversand mit UPS,TNT,DHL,FEDEX, NIGHT STAR
- Wälzlager
- Stehlager
- Flanschlager

